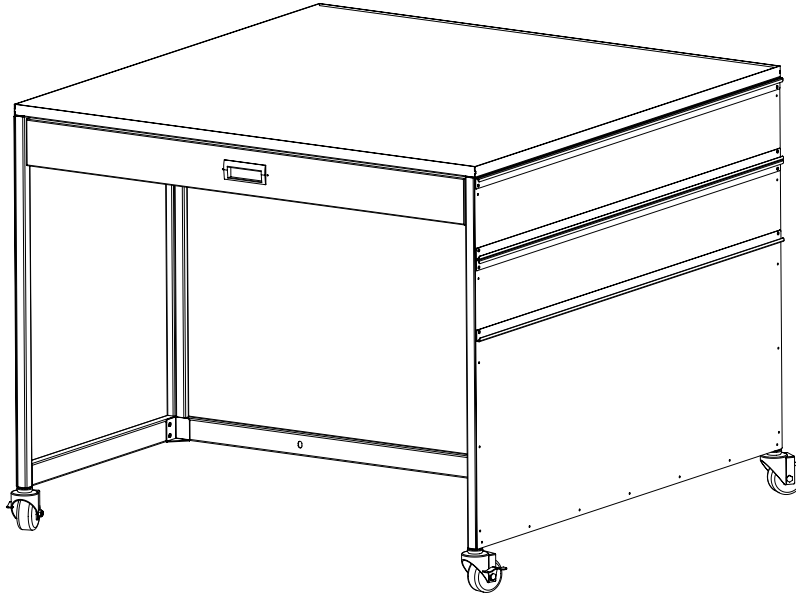
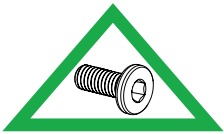


# Design Station (DS)

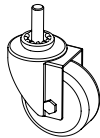
## Assembly Instructions



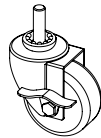
### HARDWARE [Extras Included]



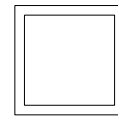
M6x16 Machine  
Screw (x23)



Caster  
(x2)

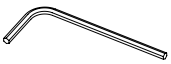


Locking Caster  
(x2)

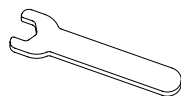


Plastic Shim (x4)  
Shim with Tape (x4)

### TOOLS



Allen Key  
(x1)



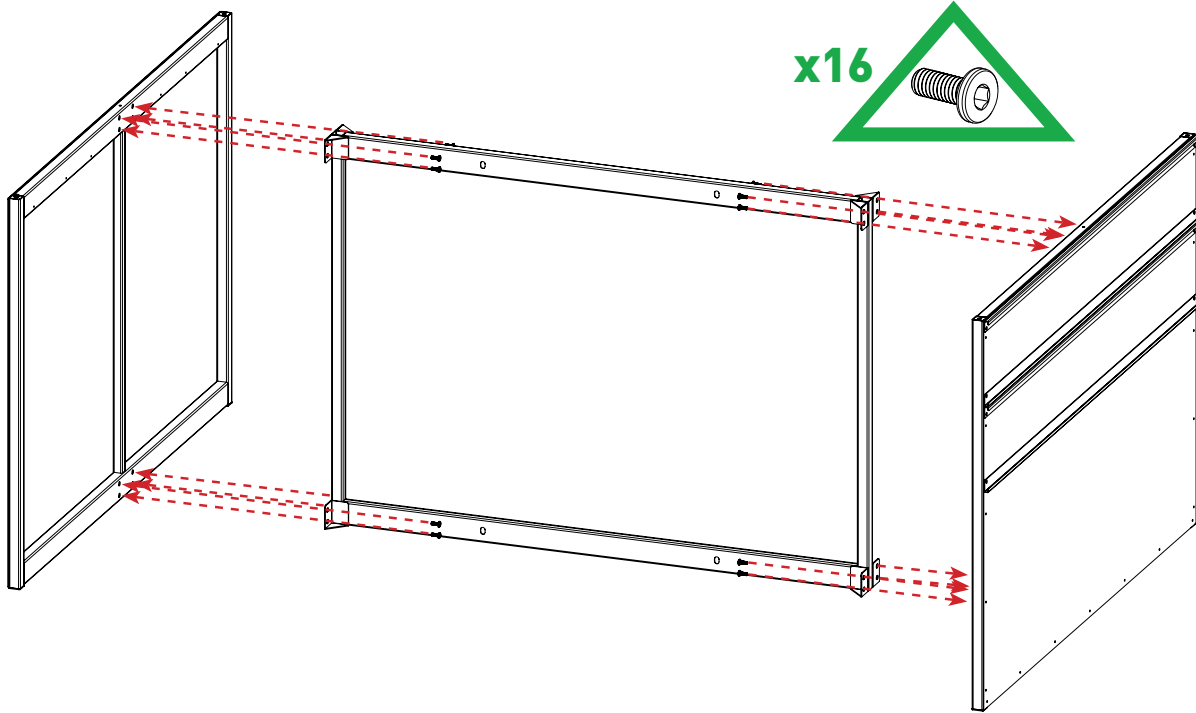
Large Allen Key  
(x1)

**A low torque drill/driver may be used for assembly with a 4mm Hex bit.**

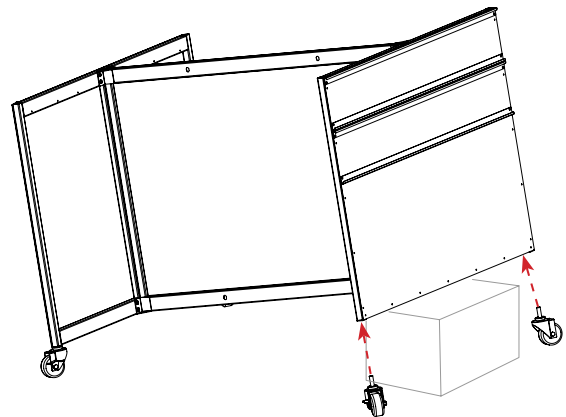
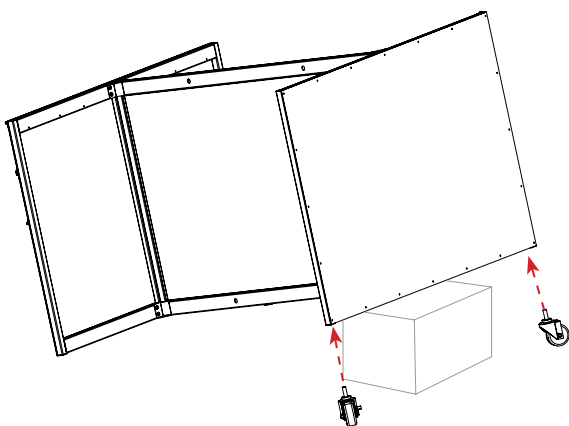
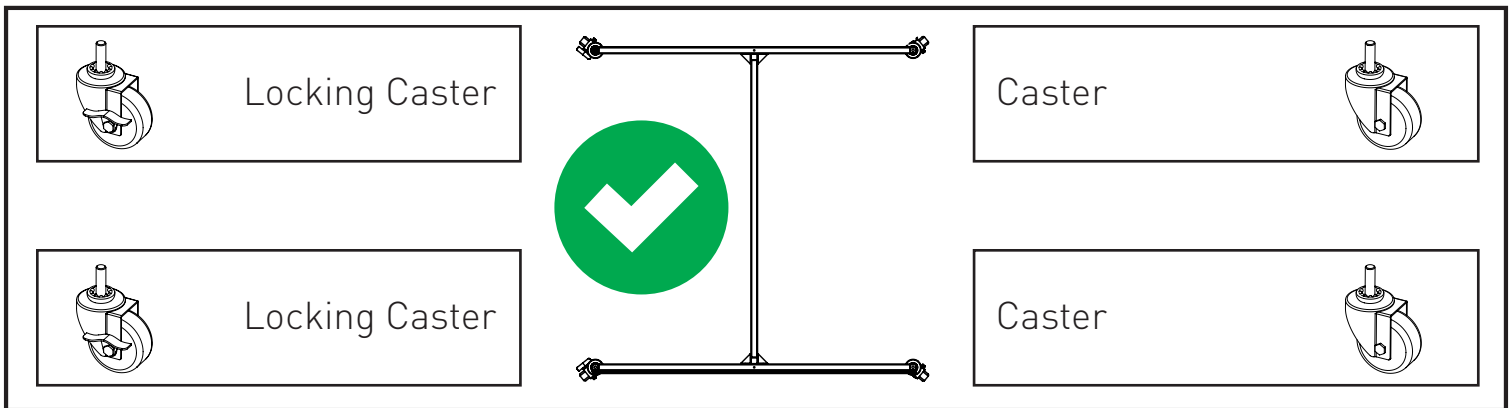


**GO TO <https://www.crewdesign.com/npt>  
OR SCAN QR CODE FOR DIGITAL INSTRUCTIONS AND  
ADDITIONAL CONTACT INFORMATION**

**1** Attach center panel to both side panels. Make sure the top of each side panel is oriented correctly. (Look for TOP sticker on inside of each side panel)



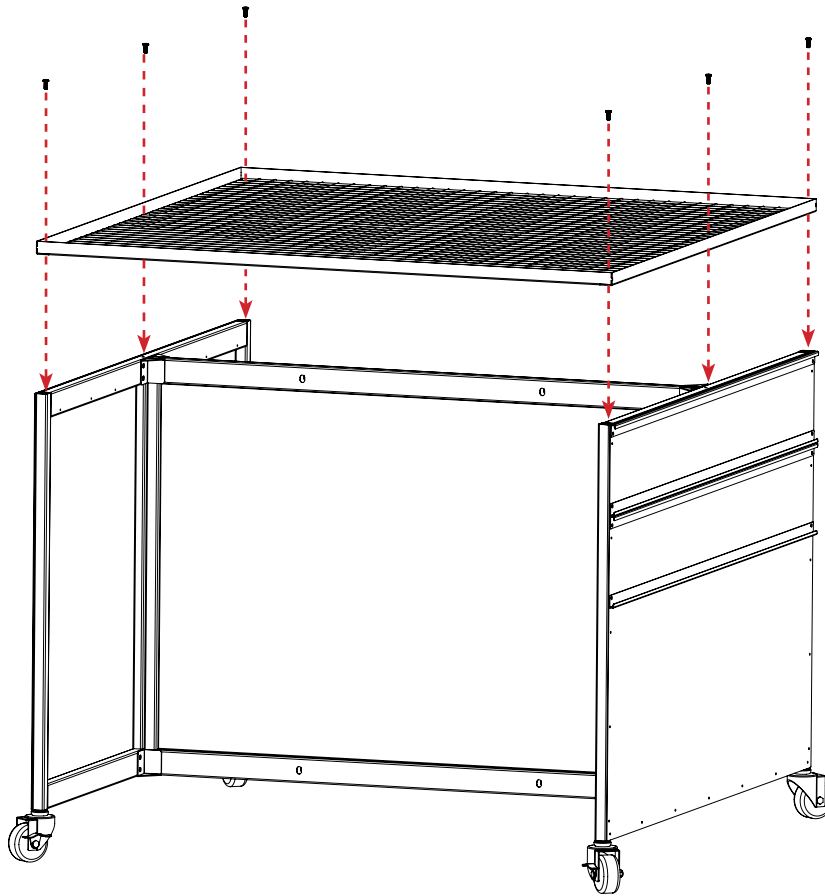
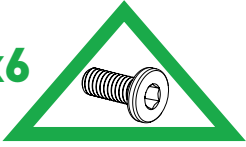
**2** Attach casters to bottom of assembly. You can use the foam packaging block(s) to stand up the assembly to insert casters. **IMPORTANT: The x2 Locking Casters MUST BE INSTALLED ON OPEN SIDE AND NOT BOTH ON THE PANEL SIDE.**



3

**Attach Top Grid to assembly using (x6) M6x16 Machine Screws.**

x6

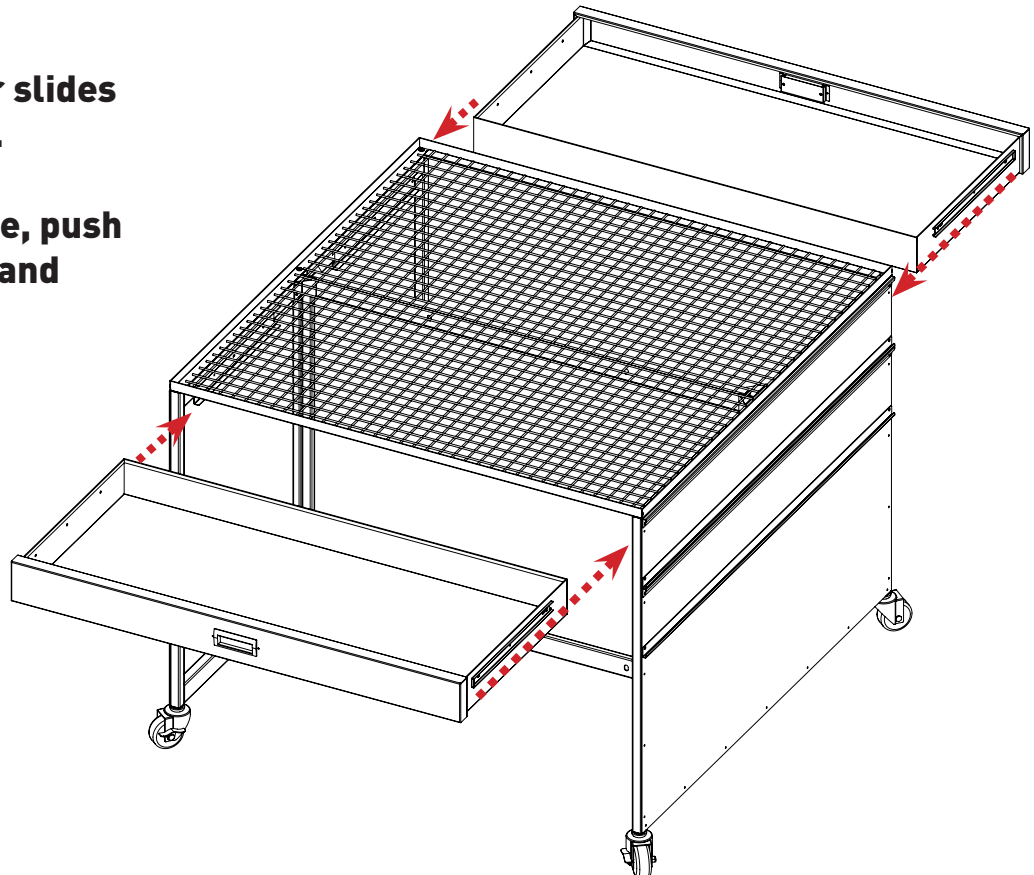


4

**Slide in drawers.**

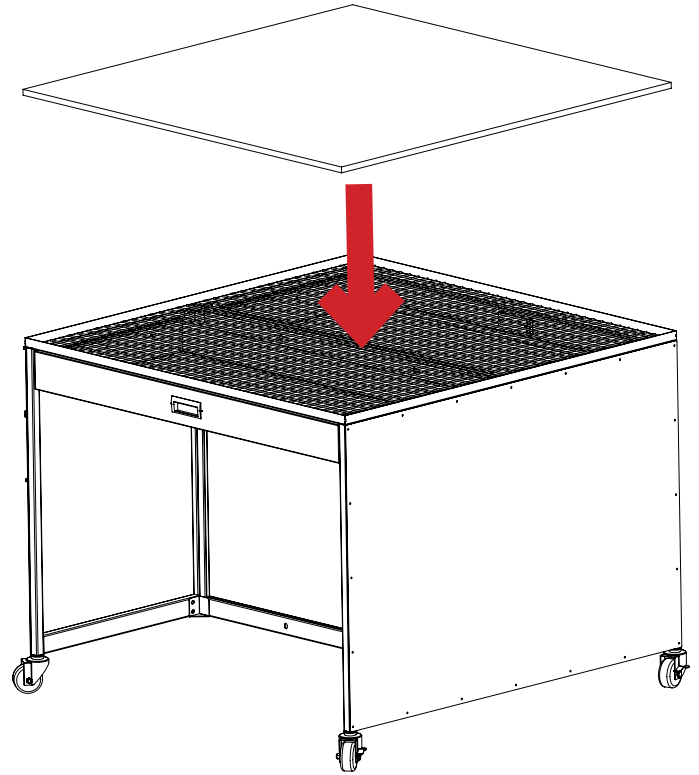
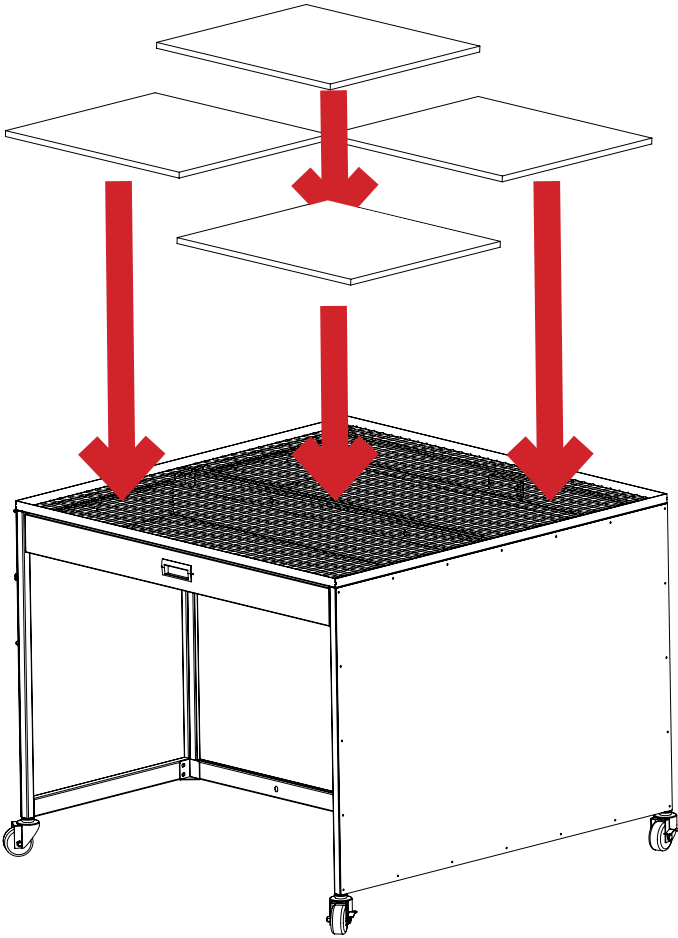
**A. Push in drawer slides on design station.**

**B. With two people, push drawer in evenly and completely.**



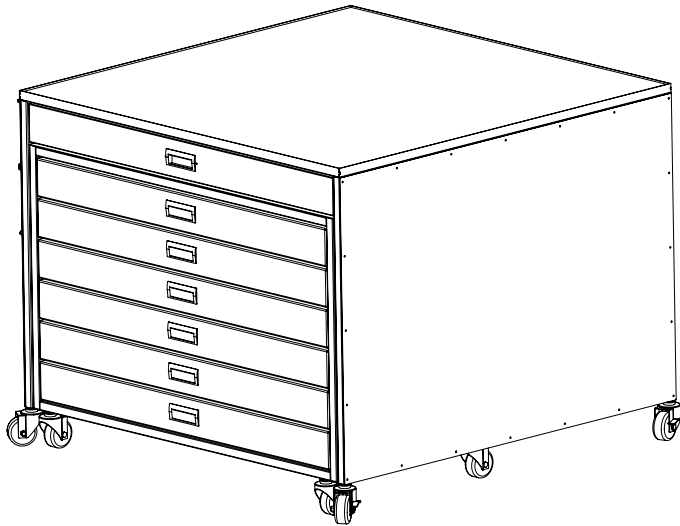
**5**

**Put on your Hardscape pattern. If no Hardscape is available use plastic Top Panel provided. You can use the included pads/shims to level the surface if needed. The top surface should be flush or above the metal L Channel.**

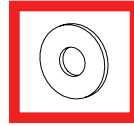


# Design Station Cabinet (CB)

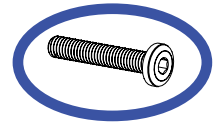
## Assembly Instructions



### HARDWARE [Extras Included] —



Washer (x2)



M6x40 Machine  
Screw (x2)

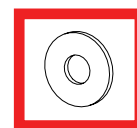
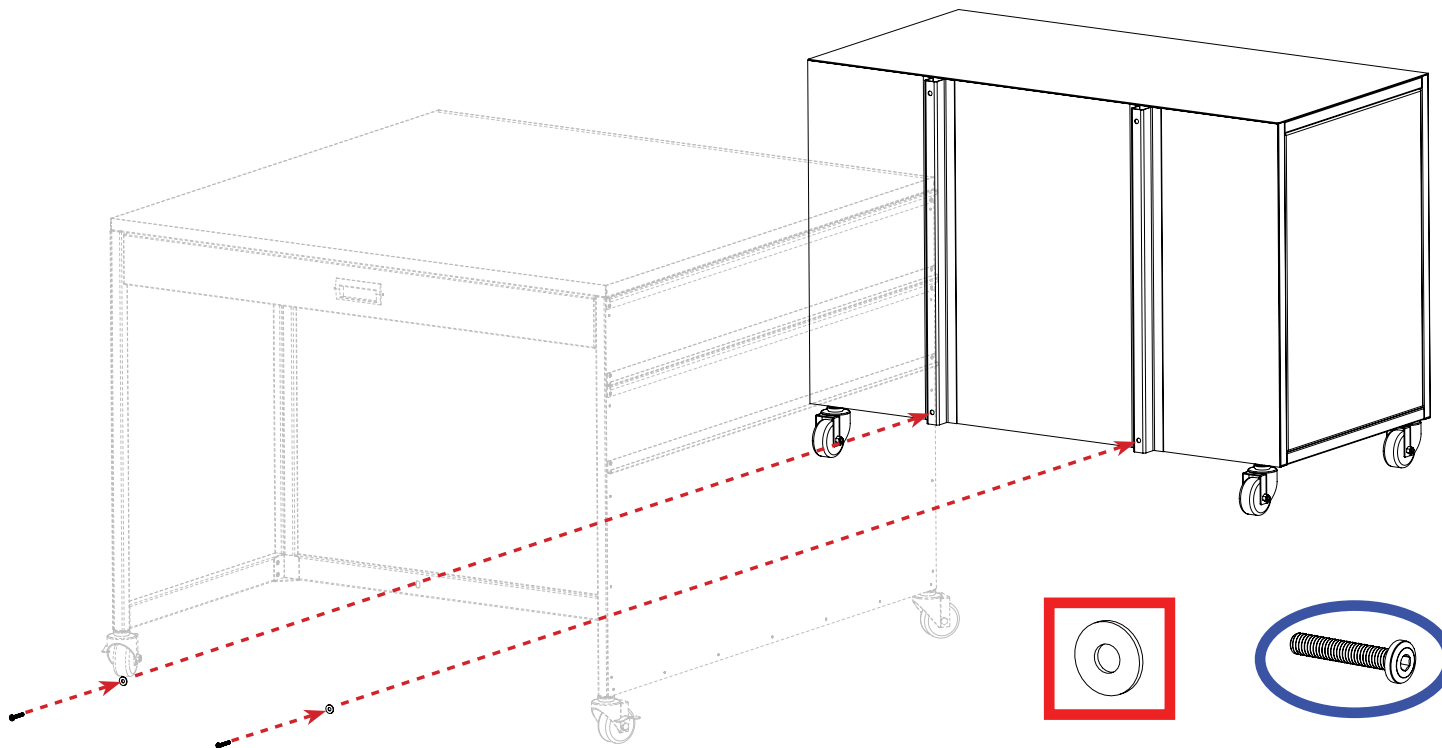
### TOOLS



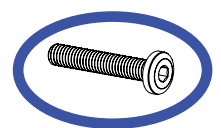
Allen Key  
(x1)

1

If your installation includes the Cabinet, attach it to the Design Station on the **OPPOSITE SIDE FROM THE LOCKING CASTERS**. Use (x2) M5x40 Machine Screws & (x2) Washers to attach Cabinet to Design Station. Make sure Cabinet is flush with the Design Station and the floor is level.



Washer (x2)



M6x40 Machine  
Screw (x2)